

RÉZABOITE VOILE

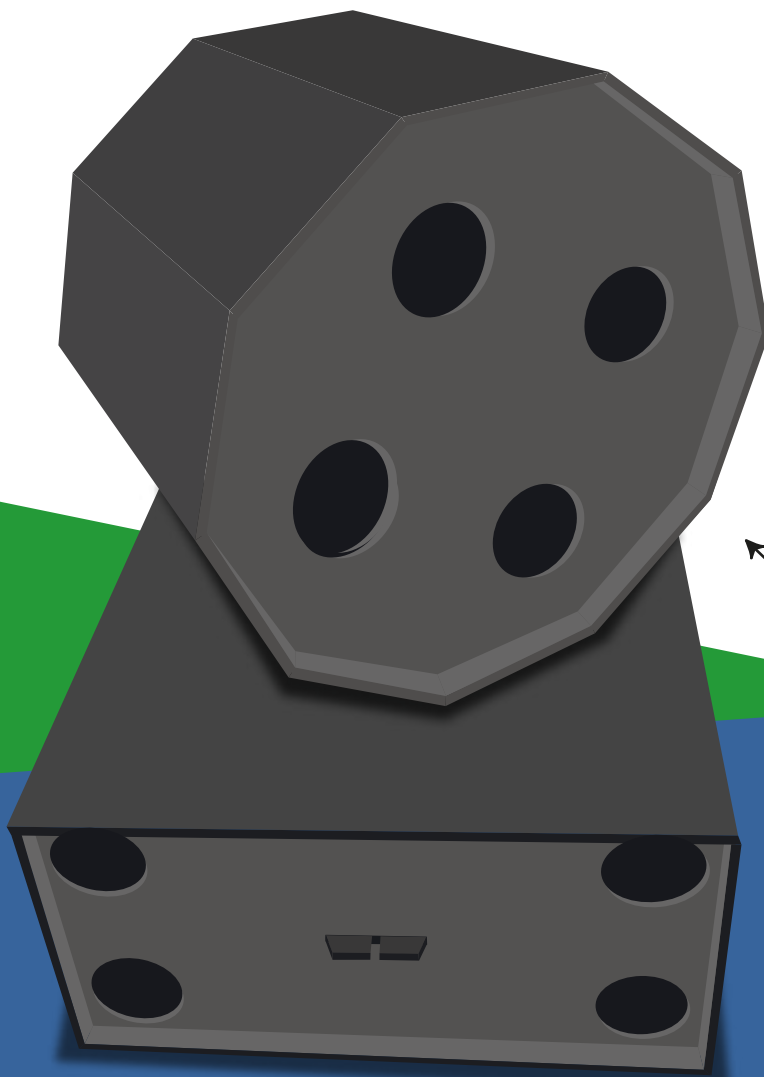
BOX-OUT FORMWORK

RECTANGULAR OR FACETTED IN-SHELL BOX-OUT SYSTEM WITH HOLES TAKING MAGNETIC CONES TO GIVE A MAXIMUM OPENING OF 45X45CM.



FEATURES & ADVANTAGES

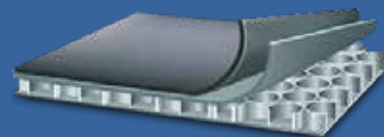
- Custom size configurations
- Delivered ready-to-fit
- Weatherproof
- Resists concrete pressure
- Does not bond to the concrete— easy to remove
- Lightweight, easy to handle



Facetted in-shell box-out

Rectangular in-shell box-out

AKYBOARD®

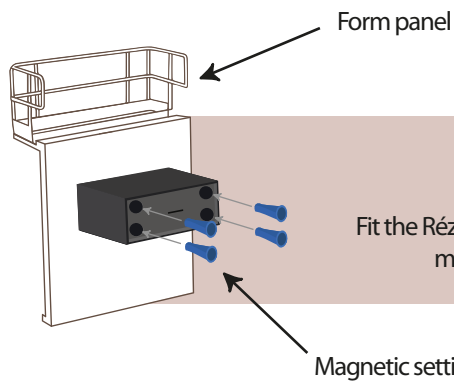


Built entirely in AKYBOARD®—an innovative advanced-performance material: 100% recyclable, waterproof, workable and pressure-resistant.

QUESTION ?
04 73 78 57 41

- Pre-drilled holes to take the magnetic setting cones
- Dimension callouts on one face

IMPLEMENTATION

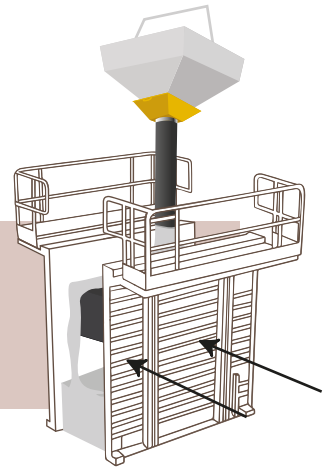


1

Fit the Rézaboite Voile using the magnetic setting cones.

2

Add the second form panel, pour the concrete.

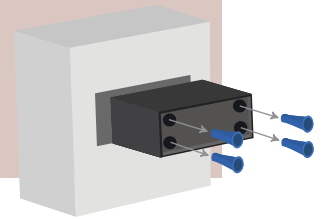
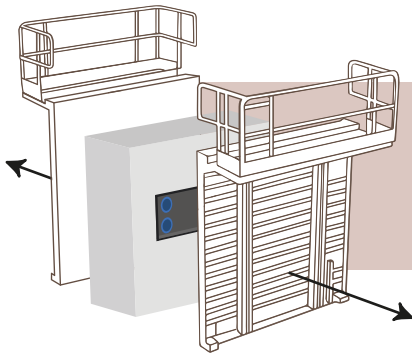


3

Extract the form panels.

4

Remove the Rézaboite Voile.



ENVIRONMENTALLY CONSCIOUS

100%-recyclable polypropylene
Incinerates without giving off noxious fumes and burns without residue

